

1. Scope

This specification applies to rectangular style handholes furnished assembled with flat, rectangular bolt-down flush covers with a non-skid surface. The bottoms of these handholes shall be open. Covers shall be configured similar to the illustrations for each respective District Material ID.

2. Application

The handholes shall be suitable for outdoor use where they will be direct buried in soil with the covers exposed. Handholes will be used to house submersible underground electrical secondary cable terminations (600V insulated) and District fiber optic cable.

3. Material ID Numbers and Sizes

Material ID	Material ID (Cover Only)	Nominal Size
776015	784836	13" W x 24" L x 15" D
776031	1001875	17" W x 30" L x 18" D
10000086	N/A	13" W x 24" L x 18" D
775992	N/A	24" W x 36" L x 18" D
5001029	N/A	24" W x 36" L x 18" D ("PUD FIBER" LID)

4. Security

The handhole covers shall be secured to the body as follows.

Material IDs 776015, 776031, 784836, and 1001875

Covers will contain (1) permanently fixed brass "L" bolt, and (1) rotating latch bolt, as shown in Figure 1. The latch bolt head shall measure 0.840" flat-to-opposite peak. Bolt heads shall be recessed in the covers with sufficient clearance for operation with a pentahead socket wrench. Bolts shall be located on the covers as shown below. Each cover shall have a pinned slot for lifting.



Figure 1 - Mat. ID's 776015, 776031, 784836, and 1001875

Material IDs 1000086, 5001029 and 775992

The bolt heads shall measure 0.840" flat-to-opposite peak. Bolt heads shall be recessed in the covers with sufficient clearance for operation with a socket wrench. Bolts shall be located in diagonally opposite corners of the cover as shown in Figure 2. The cover shall have a pinned slot for lifting.

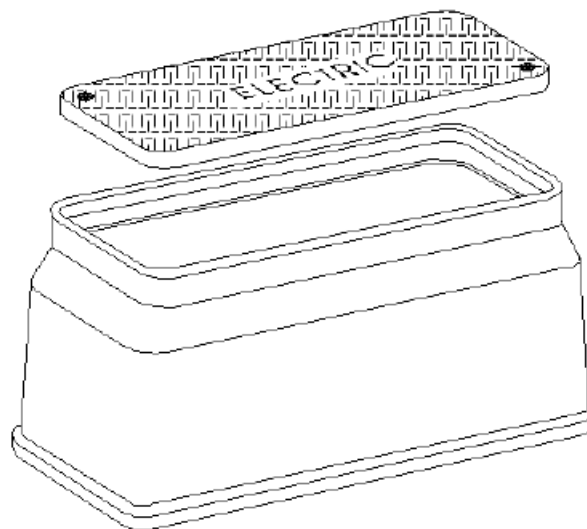


Figure 2 - Mat. ID's 1000086, 5001029 and 775992

5. Color

The handhole cover and body shall be black, gray or green.

6. Material

Material IDs 776015, 776031, 784836, and 1001875

The handhole covers and bodies shall be made of durable weather-resistant, UV-resistant, high density polyethylene or District approved alternate material.

Material IDs 1000086, 5001029 and 775992

The handhole cover and body shall be made of durable weather-resistant, UV-resistant, polymer concrete or District approved alternate material.

7. Locating Devices

All handhole assemblies and individual covers shall come with Telemark 6460 Electronic Markers (Red, 169.8 kHz) or District approved equivalent, intended for locating power facilities. Locators shall be installed on the underside of the cover as shown in Figure 1.

8. Outdoor Durability

The handhole cover and body shall have a minimum outdoor durability rating of thirty years when installed and exposed to the climate of the Puget Sound region.

9. Mechanical Load Ratings

Material IDs 776015, 776031, 784836, and 1001875

When assembled and installed, these handhole covers and bodies shall be suitable for incidental non-vehicular traffic; they shall support, without being damaged, a minimum static load of 300 lbs/sq ft with a maximum cover deflection of 1/4", and a minimum impact load of 40 ft-lbs.

Material IDs 1000086, 5001029 and 775992

When assembled and installed these handhole covers and bodies shall be suitable for driveways and roadway applications where subject to non-deliberate heavy vehicles (15,000 lbs. design load over a 10 sq. inch area).

10. Identification

The top of the cover shall be permanently, clearly embossed in two inch high letters, (nominal), with any one of the following (or District approved equivalent) identifiers: E, ELECTRIC, POWER. Material ID 5001029 shall be embossed with "PUD FIBER".

11. Packaging

Material IDs 776015, 776031 and 1000086

Handholes shall be shipped with cover latched to body, upright, two stacks per pallet, with a maximum of eight handholes per stack. Handholes shall be securely banded to the pallets.

Material IDs 784836 and 1001875

When ordered individually, covers shall be shipped stacked on a pallet and shrink wrapped.

Material IDs 5001029 and 775992

Handholes shall be shipped with cover latched to body, upright, one stack per pallet, with a maximum of four handholes per stack. Handholes shall be securely banded to the pallets.